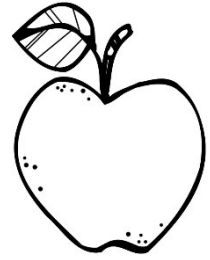




Mrs. Logan's Newsletter



September 3 - 6

What we are working on this week:

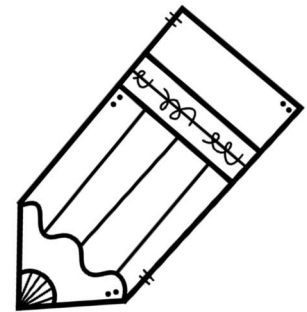
Reading: Fiction stories, letters & sounds

Math: comparing objects

Science: push & pull

Social Studies: maps & globes

Religion: creation



Sight Words:

To the
like

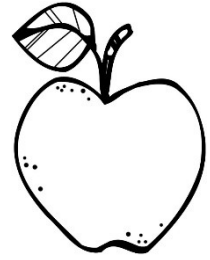
Mrs. Logan's email

jlogan@allsaintswichita.com

Please practice sight words
Everyday & keep them in their
Yellow folders or backpacks.
Thank you!



Mrs. Logan's Newsletter



September 3 - 6

What we are working on this week:

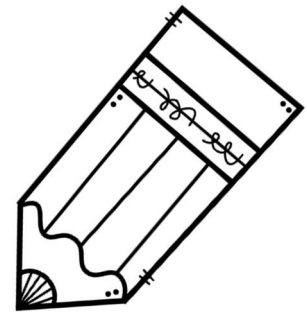
Reading: Fiction stories, letters & sounds

Math: comparing objects

Science: push & pull

Social Studies: maps & globes

Religion: creation



Sight Words:

To the
like

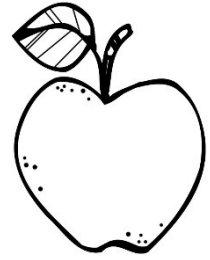
Mrs. Logan's email

jlogan@allsaintswichita.com

Please practice sight words
Everyday & keep them in their
Yellow folders or backpacks.
Thank you!



Mrs. Logan's Newsletter



September 3 - 6

What we are working on this week:

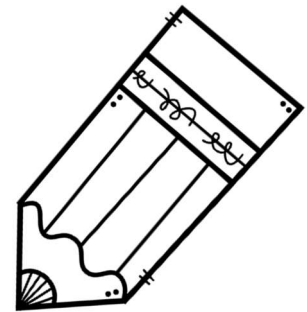
Reading: Fiction stories, letters & sounds

Math: comparing objects

Science: push & pull

Social Studies: maps & globes

Religion: creation



Sight Words:

To the
like

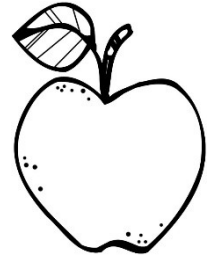
Mrs. Logan's email

jlogan@allsaintswichita.com

Please practice sight words
Everyday & keep them in their
Yellow folders or backpacks.
Thank you!



Mrs. Logan's Newsletter



September 3 - 6

What we are working on this week:

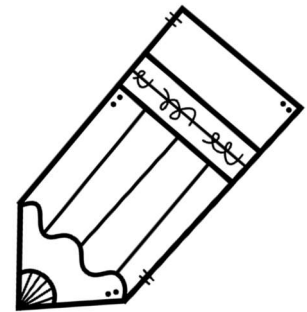
Reading: Fiction stories, letters & sounds

Math: comparing objects

Science: push & pull

Social Studies: maps & globes

Religion: creation



Sight Words:

To the
like

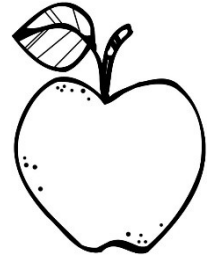
Mrs. Logan's email

jlogan@allsaintswichita.com

Please practice sight words
Everyday & keep them in their
Yellow folders or backpacks.
Thank you!



Mrs. Logan's Newsletter



September 3 - 6

What we are working on this week:

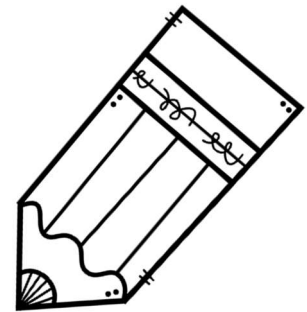
Reading: Fiction stories, letters & sounds

Math: comparing objects

Science: push & pull

Social Studies: maps & globes

Religion: creation



Sight Words:

To the
like

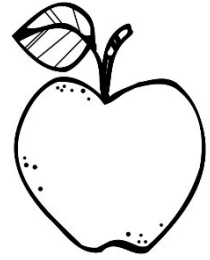
Mrs. Logan's email

jlogan@allsaintswichita.com

Please practice sight words
Everyday & keep them in their
Yellow folders or backpacks.
Thank you!



Mrs. Logan's Newsletter



September 3 - 6

What we are working on this week:

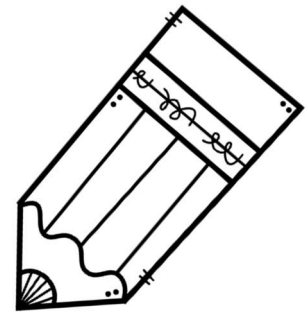
Reading: Fiction stories, letters & sounds

Math: comparing objects

Science: push & pull

Social Studies: maps & globes

Religion: creation



Sight Words:

To the
like

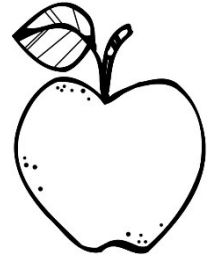
Mrs. Logan's email

jlogan@allsaintswichita.com

Please practice sight words
Everyday & keep them in their
Yellow folders or backpacks.
Thank you!



Mrs. Logan's Newsletter



September 3 - 6

What we are working on this week:

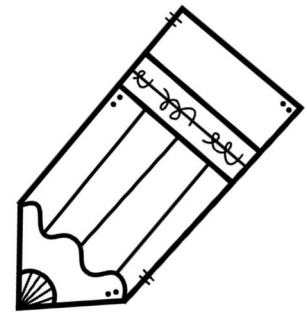
Reading: Fiction stories, letters & sounds

Math: comparing objects

Science: push & pull

Social Studies: maps & globes

Religion: creation



Sight Words:

To the
like

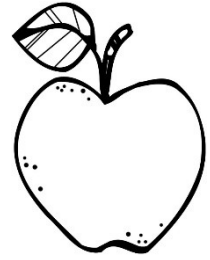
Mrs. Logan's email

jlogan@allsaintswichita.com

Please practice sight words
Everyday & keep them in their
Yellow folders or backpacks.
Thank you!



Mrs. Logan's Newsletter



September 3 - 6

What we are working on this week:

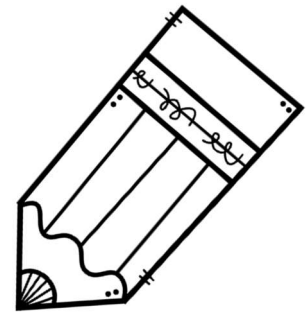
Reading: Fiction stories, letters & sounds

Math: comparing objects

Science: push & pull

Social Studies: maps & globes

Religion: creation



Sight Words:

To the
like

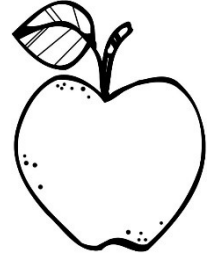
Mrs. Logan's email

jlogan@allsaintswichita.com

Please practice sight words
Everyday & keep them in their
Yellow folders or backpacks.
Thank you!



Mrs. Logan's Newsletter



September 3 - 6

What we are working on this week:

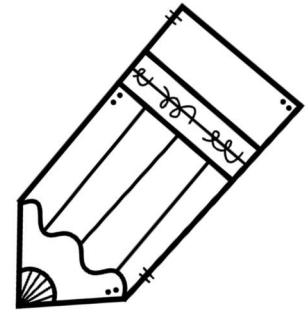
Reading: Fiction stories, letters & sounds

Math: comparing objects

Science: push & pull

Social Studies: maps & globes

Religion: creation



Sight Words:

To the
like

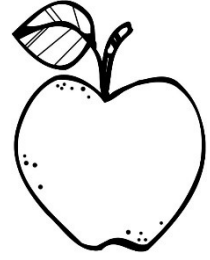
Mrs. Logan's email

jlogan@allsaintswichita.com

Please practice sight words
Everyday & keep them in their
Yellow folders or backpacks.
Thank you!



Mrs. Logan's Newsletter



September 3 - 6

What we are working on this week:

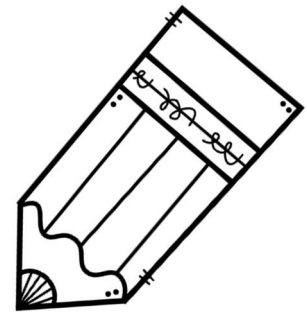
Reading: Fiction stories, letters & sounds

Math: comparing objects

Science: push & pull

Social Studies: maps & globes

Religion: creation



Sight Words:

To the
like

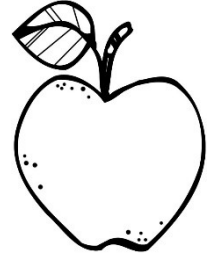
Mrs. Logan's email

jlogan@allsaintswichita.com

Please practice sight words
Everyday & keep them in their
Yellow folders or backpacks.
Thank you!



Mrs. Logan's Newsletter



September 3 - 6

What we are working on this week:

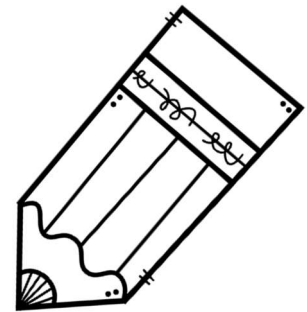
Reading: Fiction stories, letters & sounds

Math: comparing objects

Science: push & pull

Social Studies: maps & globes

Religion: creation



Sight Words:

To the
like

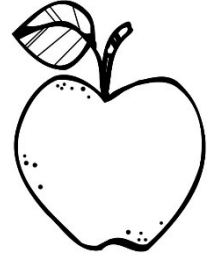
Mrs. Logan's email

jlogan@allsaintswichita.com

Please practice sight words
Everyday & keep them in their
Yellow folders or backpacks.
Thank you!



Mrs. Logan's Newsletter



September 3 - 6

What we are working on this week:

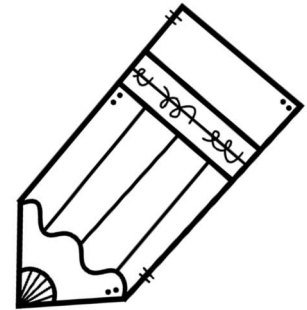
Reading: Fiction stories, letters & sounds

Math: comparing objects

Science: push & pull

Social Studies: maps & globes

Religion: creation



Sight Words:

To the
like

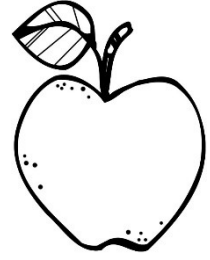
Mrs. Logan's email

jlogan@allsaintswichita.com

Please practice sight words
Everyday & keep them in their
Yellow folders or backpacks.
Thank you!



Mrs. Logan's Newsletter



September 3 - 6

What we are working on this week:

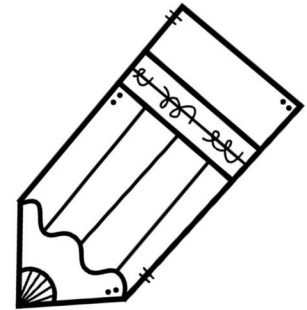
Reading: Fiction stories, letters & sounds

Math: comparing objects

Science: push & pull

Social Studies: maps & globes

Religion: creation



Sight Words:

To the

like

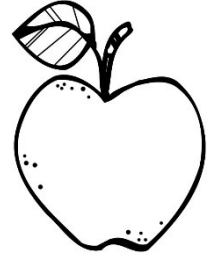
Mrs. Logan's email

jlogan@allsaintswichita.com

Please practice sight words
Everyday & keep them in their
Yellow folders or backpacks.
Thank you!



Mrs. Logan's Newsletter



September 3 - 6

What we are working on this week:

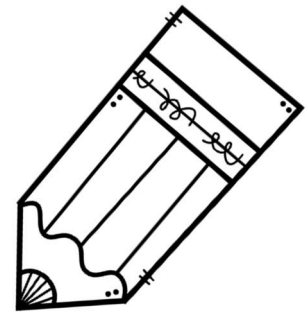
Reading: Fiction stories, letters & sounds

Math: comparing objects

Science: push & pull

Social Studies: maps & globes

Religion: creation



Sight Words:

To the
like

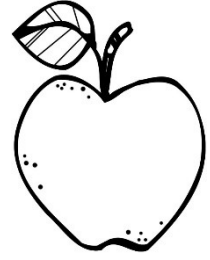
Mrs. Logan's email

jlogan@allsaintswichita.com

Please practice sight words
Everyday & keep them in their
Yellow folders or backpacks.
Thank you!



Mrs. Logan's Newsletter



September 3 - 6

What we are working on this week:

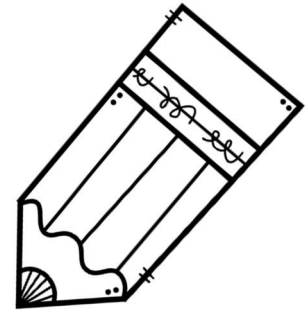
Reading: Fiction stories, letters & sounds

Math: comparing objects

Science: push & pull

Social Studies: maps & globes

Religion: creation



Sight Words:

To the
like

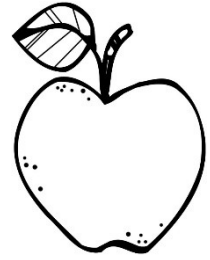
Mrs. Logan's email

jlogan@allsaintswichita.com

Please practice sight words
Everyday & keep them in their
Yellow folders or backpacks.
Thank you!



Mrs. Logan's Newsletter



September 3 - 6

What we are working on this week:

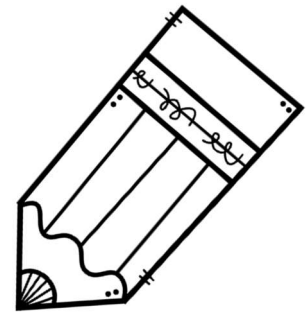
Reading: Fiction stories, letters & sounds

Math: comparing objects

Science: push & pull

Social Studies: maps & globes

Religion: creation



Sight Words:

To the
like

Mrs. Logan's email

jlogan@allsaintswichita.com

Please practice sight words
Everyday & keep them in their
Yellow folders or backpacks.
Thank you!